

Ait heater type M50 / M50L 2,2 to 6,1 KW



Function: Air heater with external air supply by means of fan or compressed air.
CAUTION !!! Device is not pressure-resistant !!!

Configuration: Default: Temperature control with potentiometer (1 – 8)
 - alternatively with external potentiometer (cable length 5 meter) or
 - external control by control unit or SPS (cable length 5 meter)
 Device is equipped with a reliable heating element protection. The integrated device protection turns off the device when tripped and resets automatically after cooling down. A reset is not required.

Features: Special designs with internal thermocouple (cable length 1 or 5 meter)
 - for devices with electronic equipment max. supply air temperature 50°C
 - the unit is available without electronics (without heating element and device protection)
 - for devices without electronic equipment max. supply air temperature 80°C

Power: 2,2 KW – 6,1 KW
Voltages: 230 VAC; 400-440 VAC (2Ph)

Technical data:

Item number		5101795	5101801 (5101803*)	5101796 (5101802*)	5101806 (5101809*)	5101810 (5101832*)	5112686 (5101839*)	5112688 (5112689*)	
Voltage	VAC	120	230		400 (2Ph)	440 (2Ph)	400 – 440 (2 Ph)		
Frequency	Hz	50 / 60							
Power	KW	2,2	3,7	4,5	4,1	4,6 – 5,57	6,1 – 7,4		
Current	A	9,6	16,2	11,2	9,2	11,5 – 12,7	15,3 – 16,8		
Max. temperature	°C	650							
Min. air volume	l/min	150 (187*)	160 (202*)	290 (367*)	370 (469*)	350 (440*)	370 (465*)	540 (684*)	
Weight	kg	0,8						0,9	
Air intake	Ø mm	38							
Air outlet	Ø mm	30							
Heater tube	Ø mm	50 / 65							
Dimensions	mm (L x W x H)	239 x 85 x 90					278 x 85 x 90		
Conformity mark									
Protection class II		<input type="checkbox"/>							

* without electronic

Ait heater type M50 / M50L 2,2 to 6,1 KW

Product description:	Connection scheme:		
		<p>Default with potentiometer</p> <p>N, L1 or L1, L2 = Main connection according to data plate</p>	<p>External control</p> <p>N, L1 or L1, L2 = Main connection according to data plate</p> <p>Digital signal (PWM max. 0,5Hz) 10-24VDC + = brown - = white</p>
<ol style="list-style-type: none"> 1. Cable fitting mains supply 2. Potentiometer 0-8 (control cable für ext. control); (no Potentiometer for devices without electronic) 3. Mounting on bottom of housing M 4 (screw depth 7 mm) 4. Heating element pipe Ø50mm 5. Cover 6. Data plate 7. Air intake Ø38mm 		<p>Version without electronics</p> <p>N, L1 or L1, L2 or L1, L2, L3 = Main connection according to data plate</p>	

Air heater type M50 / M50L 2,2 to 6,1 KW
Available versions:







Item No.	Description
5101795	Air heater M50 120 VAC 2,2 KW potentiometer
5101801	Air heater M50 230 VAC 2,2 KW potentiometer
5101804	Air heater M50 230 VAC 2,2 KW for external control with 5 meter control cable
5101805	Air heater M50 230 VAC 2,2 KW for external control with 5 meter control cable and internal thermocouple
5101803	Air heater M50 230 VAC 2,2 KW without electronic
5101797	Air heater M50 230 VAC 2,2 KW without electronic, with internal thermocouple
5101796	Air heater M50 230 VAC 3,7 KW potentiometer
5108931	Air heater M50 230 VAC 3,7 KW for external control with 5 meter control cable
5108932	Air heater M50 230 VAC 3,7 KW for external control over potentiometer with 5 meter control cable
5108799	Air heater M50 230 VAC 3,7 KW for external control with 5 meter control cable and internal thermocouple
5101802	Air heater M50 230 VAC 3,7 KW without electronic
5101800	Air heater M50 230 VAC 3,7 KW without electronic, with internal thermocouple
5101806	Air heater M50 400 VAC 2Ph 4,5 KW Potentiometer
5113724	Air heater M50 400 VAC 2Ph 4,5 KW for external control with 5 meter control cable
5113808	Air heater M50 400 VAC 2Ph 4,5 KW for external control with 5 meter control cable and internal thermocouple
5101809	Air heater M50 400 VAC 2Ph 4,5 KW without electronic
5101814	Air heater M50 400 VAC 2Ph 4,5 KW without electronic, with internal thermocouple
5101810	Air heater M50 440 VAC 2Ph 4,1 KW potentiometer
5101815	Air heater M50 440 VAC 2Ph 4,1 KW for external control with 5 meter control cable
5101831	Air heater M50 440 VAC 2Ph 4,1 KW for external control with 5 meter control cable and internal thermocouple
5101832	Air heater M50 440 VAC 2Ph 4,1 KW ohne Elektronik
5101833	Air heater M50 440 VAC 2Ph 4,1 KW without electronic, with internal thermocouple
5101812	Air heater M50 480 VAC 2PH 4,4 KW Potentiometer
5101834	Air heater M50 480 VAC 2PH 4,4 KW for external control with 5 meter control cable
5101835	Air heater M50 480 VAC 2PH 4,4 KW for external control with 5 meter control cable and internal thermocouple
5101813	Air heater M50 480 VAC 2Ph 4,4 KW ohne Elektronik
5101836	Air heater M50 480 VAC 2Ph 4,4 KW without electronic, with internal thermocouple
5112686	Air heater M50L 400-440 VAC 2Ph 4,6-5,6 KW potentiometer
5101837	Air heater M50L 400-440 VAC 2Ph 4,6-5,6 KW for external control with 5 meter control cable
5101838	Air heater M50L 400-440 VAC 2Ph 4,6-5,6 KW for external control with 5 meter control cable and internal thermocouple
5101839	Air heater M50L 400-440-480 VAC 2Ph 4,6-5,6 KW without electronic
5101842	Air heater M50L 400-440-480 VAC 2Ph 4,6-5,6 KW without electronic, with internal thermocouple

Air heater type M50 / M50L 2,2 to 6,1 KW

Available versions:

Item No.	Description
5112688	Air heater M50L 400-440 VAC 2Ph 6,1-7,4 KW potentiometer
5101843	Air heater M50L 400-440 VAC 2Ph 6,1-7,4 KW for external control with 5 meter control cable
5101844	Air heater M50L 400-440 VAC 2Ph 6,1-7,4 KW for external control with 5 meter control cable and internal thermocouple
5112689	Air heater M50L 400-440-480 VAC 2Ph 6,1-7,4-8,8 KW without electronic
5101845	Air heater M50L 400-440-480 VAC 2Ph 6,1-7,4-8,8 KW without electronic, with internal thermocouple

Accessories:

Item no.	Description
5107254	 Flange connector
5107256	 Angles nozzle \varnothing 50 mm length 160 x 100mm
5107255	 Extension tube 36,5 x 160mm
5107258	 Wide slot nozzle 70 x 10mm
5107274	 Wide slot nozzle 130 x 17mm
5107270	 Wide slot nozzle 150 x 12mm

Ait heater type M50 / M50L 2,2 to 6,1 KW

Combination possibilities for devices WITH electronic *:

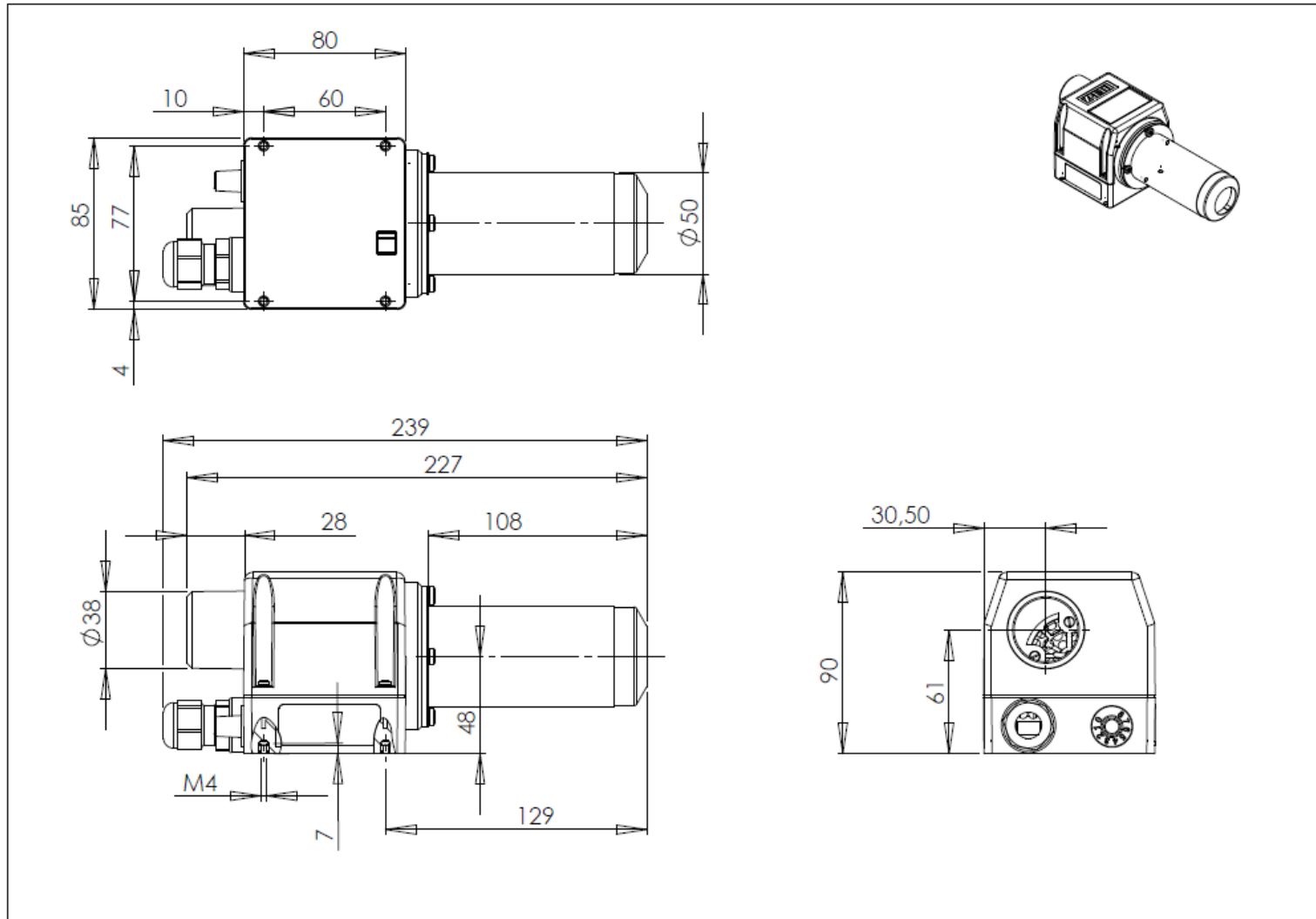
Measuring point: 3.0 mm after the air outlet pipe adapter – without nozzle, measured at the hottest point
Hose length: 1,0 m
Air supply: Blower 400 Volt, 50 Hz (HD = High pressure blower, MD = Medium pressure blower)
Air flow: NI / min = standard liters per minute according to DIN 1343

CAUTION: Air flow and temperature are indicative which can change due to external influences and changes air hose diameter and length!

Blower type	Quantity, air heater type, voltage, power	Air flow at 50 Hz with heating [NI / min.]	Maximum temperature at 50 Hz [°C]
HD140	1 x M50; 230VAC; 3,7KW	950	310
	2 x M50; 230VAC; 3,7KW	2 x 630	450
	4 x M50; 230VAC; 3,7KW	4 x 360	580
HD240	4 x M50; 230VAC; 3,7KW	4 x 870	330
	8 x M50; 230VAC; 3,7KW	8 x 490	510
MD10	2 x M50; 230VAC; 3,7KW	2 x 300	600
MD14	2 x M50; 230VAC; 3,7KW	2 x 350	580
HD140	1 x M50; 400VAC(2Ph); 4,5KW	970	370
	2 x M50; 400VAC(2Ph); 4,5KW	2 x 630	540
MD14	4 x M50; 400VAC(2Ph); 4,5KW	2 x 320	650
	8 x M50; 400VAC(2Ph); 4,5KW	8 x 310	650
HD140	1 x M50L; 400VAC(2Ph); 6,1KW	780	560
HD240	1 x M50L; 400VAC(2Ph); 6,1KW	1440	350
	2 x M50L; 400VAC(2Ph); 6,1KW	2 x 1110	410
	4 x M50L; 400VAC(2Ph); 6,1KW	4 x 770	540

*Data without guarantee

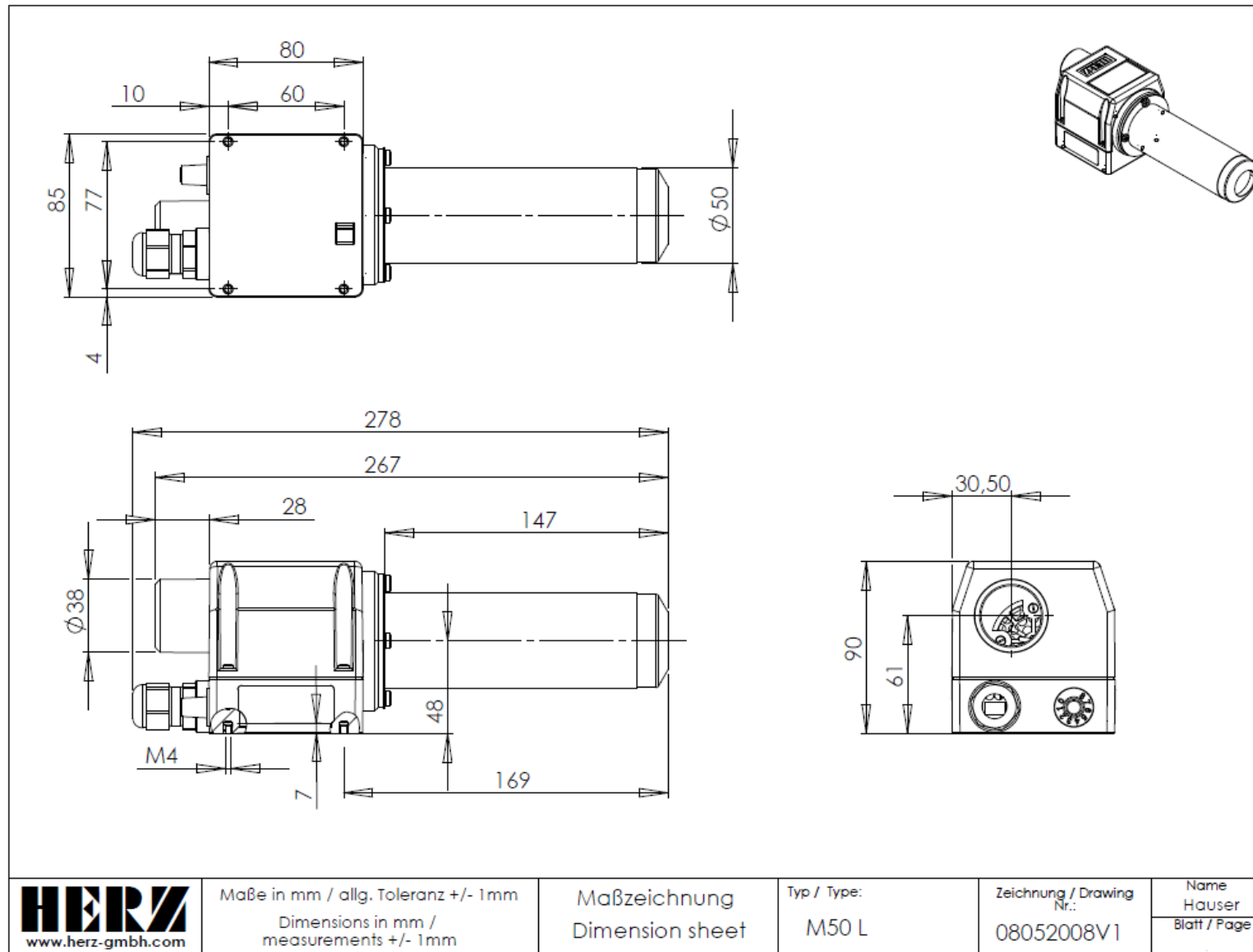
Ait heater type M50 / M50L 2,2 to 6,1 KW



 www.herz-gmbh.com	Maße in mm / allg. Toleranz +/- 1mm	Maßzeichnung Dimension sheet	Typ / Type:	Zeichnung / Drawing Nr.: 08052008V1	Name
	Dimensions in mm / measurements +/- 1mm		M50		Hauser
				Blatt / Page	

Technische Änderungen vorbehalten / technical changes reserved

Ait heater type M50 / M50L 2,2 to 6,1 KW



Technische Änderungen vorbehalten / technical changes reserved

Ait heater type M50 / M50L 2,2 to 6,1 KW

HERZ GmbH

Kunststoff- & Wärmetechnologie
Biberweg 1
DE – 56566 Neuwied
Tel.: +49 (0)2622-81086; Fax: +49 (0)2622-81080
www.herz-gmbh.com; info@herz-gmbh.com

HERZ Austria GmbH

Kunststoff- & Wärmetechnologie
Gleinser Weg 27
AT – 6141 Schönberg / Tirol
Tel.: +43 (0)5225-63113; Fax: +43 (0)5225-6311385
www.herz-austria.at; herz.schoenberg@herz-gmbh.com

HERZ Hungária Kft.

Műanyag- és hőlégtéchnika
Pesti úti iparterület HRSZ.: 3335
HU – 2225 Üllő
Tel.: +36 (06)29-522400; Fax: +36 (06)29-522 410
www.herz-hungaria.hu; herz@herz-hungaria.hu

HERZ Bulgaria OOD

Boul. Assen Yordanov 10
BG – 1592 Sofia
Tel.: +359 (0)2-9790351; Fax: +359(0)2-9790793
www.herz-bulgaria.com; office@herz-bulgaria.com

HERZ GmbH

Kunststoff- & Wärmetechnologie
Am Arenberg 26A
DE – 86456 Gablingen
Tel.: +49 (0)8230-85085; Fax: +49 (0)8230-85087
www.herz-gmbh.com; robert.einberger@herz-gmbh.com

HERZ Austria GmbH

Kunststoff- & Wärmetechnologie
Johann-Galler-Str. 20 IZ – NÖ – Nord
AT – 2120 Wolkersdorf i. Weinviertel
Tel.: +43 (0)2245-82494-0; Fax: +43 (0)2245-82494-9
www.herz-austria.at; herz.wolkersdorf@herz-gmbh.com

HERZ Polska Sp.z o. o.

Technologie obróbki tworzyw sztucznych
Ul. Wiertnicza 110
PL – 02-952 Warszawa
Tel.: +48 (0)22-8428583; Fax: +48 (0)22-8429700
www.herz.polska.pl; herz.polska@herz-gmbh.com